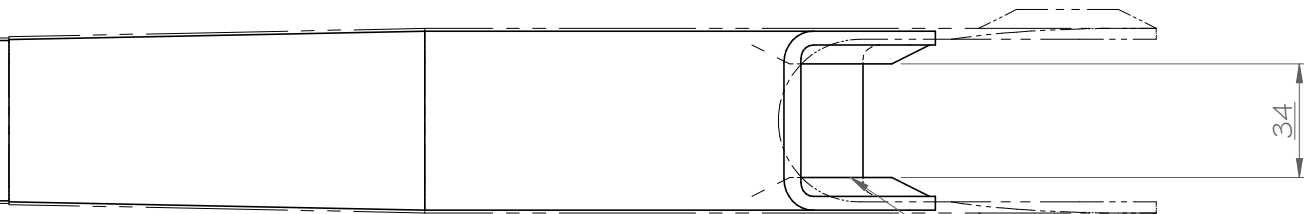
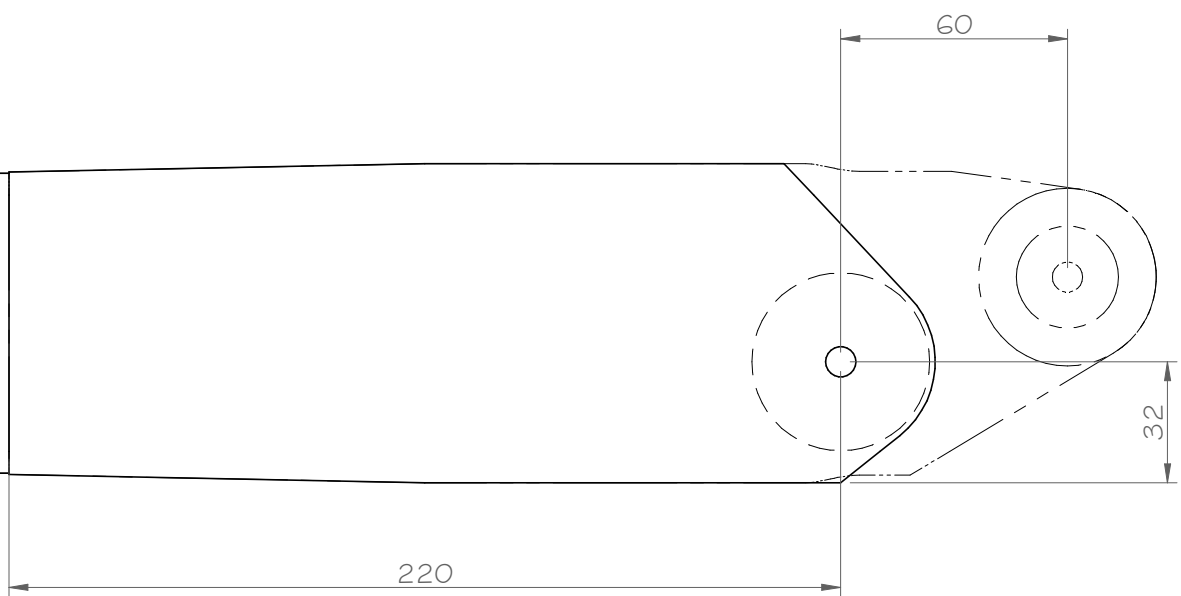


C-TECH



TOP VIEW

DISK MOVED FROM OUTSIDE OF BOOM TO INSIDE



FRONT VIEW



PART.			
DISCRIPTION.	Moth External to internal		
TITLE.	gooseneck conversion Dimensions		
DWG NO.	SCALE: 1:2	SHEET SIZE: A4	SHEET 1 of 1
APPROVED	shayne.yo	Project No.:	

<small>DIMENSIONS ARE IN MILLIMETERS</small> <small>0 = ±1</small> <small>0.0 = ±0.1</small> <small>0.00 = ±0.01</small> <small>ANGLES = ±0.1°</small>	<small>C-Tech reserve all rights in this document and in the information contained therein.</small> <small>Reproduction, use or disclosure to third parties without express authority is strictly forbidden.</small>	REV	DESCRIPTION	DATE	DRAWN	APPROVED
		A	Released	31/01/2018		shayne.yo