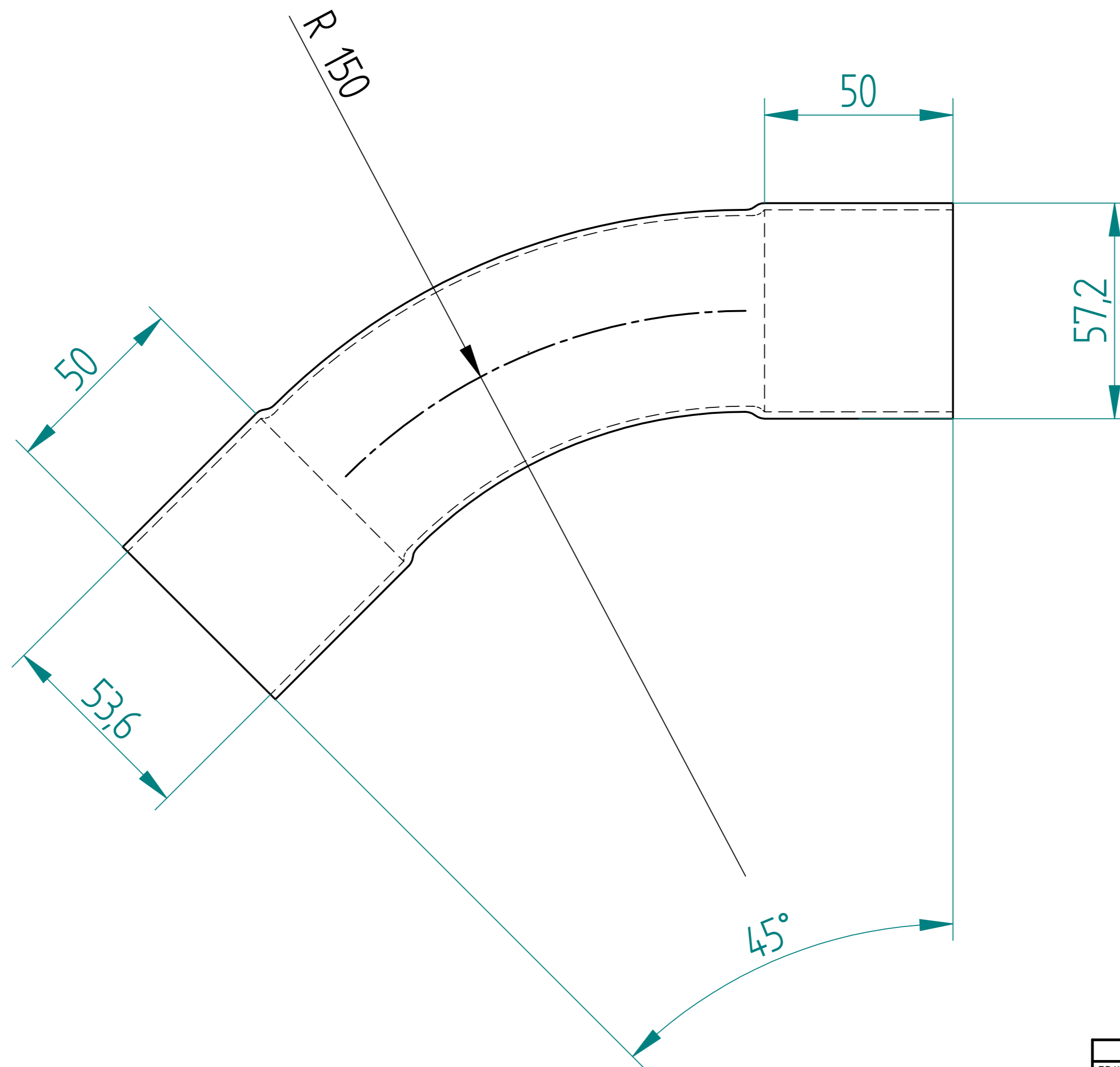


REVISION HISTORY			
REV	DESCRIPTION	DATE	APPROVED



	NAME	DATE	ABSOLUTE CNC	
DRAWN	CNC	12/04/14	TITLE	
CHECKED				
ENG APPR				
MGR APPR				
UNLESS OTHERWISE SPECIFIED DIMENSIONS ARE IN MILLIMETERS ANGLES ±X.X° 2 PL ±X.XX 3 PL ±X.XXX			SIZE A2	DWG NO
			FILE NAME: 50mm ID elbow 45 deg Rev A.dft	REV
			SCALE:	WEIGHT:
			SHEET 1 OF 1	